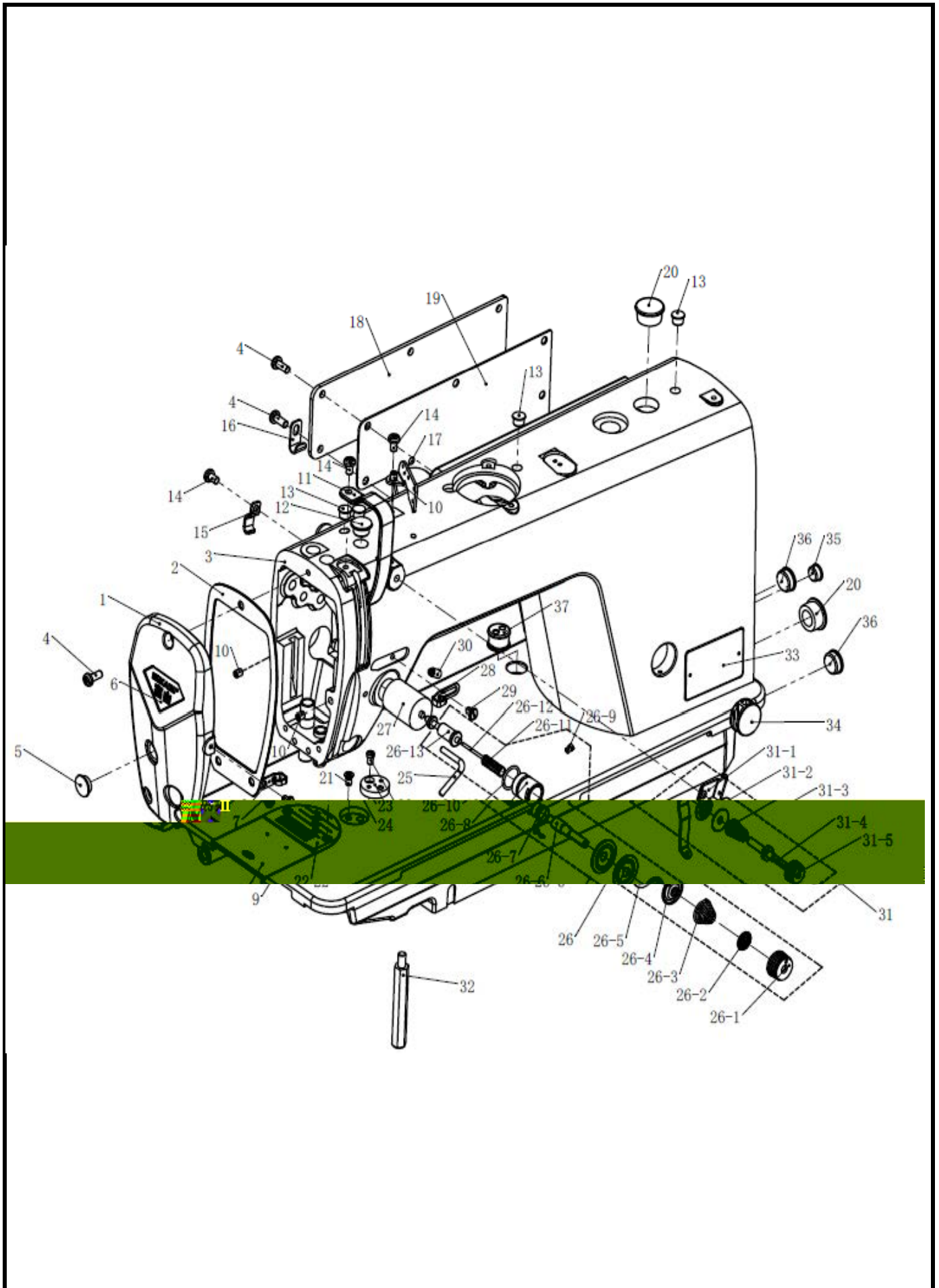


件 册
PARTS BOOK

/Catalogue

1.	件/Machine frame&miscellaneous cover components.....	P1
2.上	件/Main shaft&thread up lever components.....	P5
3.	.下 件/Needle bar, upright shaft&hook driving shaft components.....	P7
4.压	件/Hand lifter components.....	P9
5.	件/Feed machine components.....	P11
6.	动切 件/Thread trimmer components.....	P13
7.	动倒 与 件/Automatic reverse feed and stitch length components.....	P15
8.	动及 制 件/Driver and control components.....	P16
9.	件/Oil lubrication&belt cover components.....	P18
10.	件/oil reservoir components.....	P20
11.	件/Accessories.....	P23

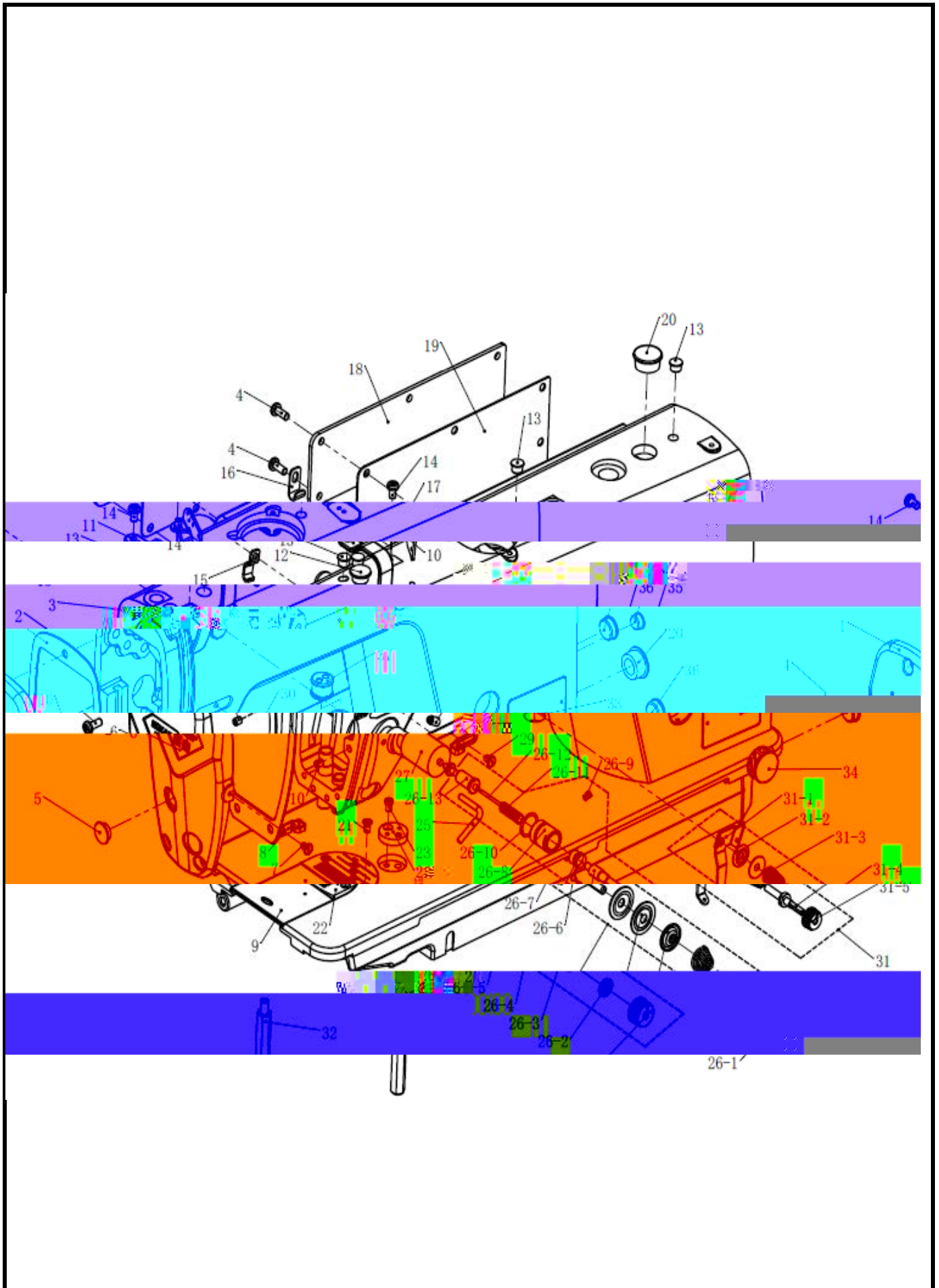
1、 件/Machine frame&miscellaneous cover components



1、 件/Machine frame&miscellaneous cover components

号 Ref.No	图号 Part. No	件名	Name of parts	Qty
				H9500N-7D-5AK
1	130.01-11		Plate	1
2	130.01-12	垫	Plate agsket	1
3	130.01-20	件	Machine cover	1
4	01-405001223-1	M5x12	Screw	10
5	22-12404016	塞	Rubber plug	2
6	130.01-13	型	Plate stick	1
7	02-611400621-1	SM11/64x40x6	Screw	2
8	101.01-32		Arm thread guide Left	1
9	101.01-46	件	Slide plate asm.	1
10	01-805000614-1	M5x6	Screw	1
11	130.01-22		Thread take-up lever cover	1
12	22-12507017	塞	Rubber plug	1
13	22-08506011	塞8.5x6x10.5	Rubber plug	4
14	01-405000823-1	M5x6	Screw	3
15	103.18-04	U2-9500A	Clamp	1
16	126.01-06	U2-9500A	Clamp	1
17	110.01-07		Spool pin	1
18	130.01-24	后	Side plate	1
19	130.01-25	后 垫	Gasket	1
20	22-20809024	塞	Rubber plug	1
21	02-211400823-1	SM11/64x40x8	Screw	2
22	130.01-44		Throat plate	1
23	02-911400621-1	SM11/64x40x6	Screw	1
24	103.01-11	位	Ruler stopper	1
25	130.01-17		Presser bar thread guide	1
26	101.01-27	器 件	Thread tension asm.	1
26-1	101.01-27-01		Tension nut	(1)
26-2	101.01-27-02	制动	Rotating stopper	(1)
26-3	101.01-27-03		Tension spring	(1)
26-4	101.01-27-04		Thread tension disk presser	2
26-5	101.01-27-05		Thread tension disk	(1)
26-6	101.01-27-06		Tension post	1
26-7	101.01-27-07		Take-up spring	(1)
26-8	101.01-27-09		Tension post socket	(1)
26-9	02-909400421-1		Screw	1
26-10	12-137160	O型圈	Rubber ring	1
26-11	101.04-24		Tension spring	(1)
26-12	101.01-27-10		Tension releasing	(1)
26-13	130.04-32		Tension pin	1
27	SD-02A		Tension electromagnet	1
28	101.01-25	右	Arm thread guide Right	1
29	02-611400621-1	一	Screw	1
30	02-815281151-1	SM15/64"x28x11	Screw	1
31	110.01-21G	器 件	Thread tension asm.	1
31-1	110.01-23G		Thread tension guide	(1)
31-2	101.01-21-03		Thread tension disk	(1)
31-3	101.01-21-04		Thread tension spring	(2)
31-4	110.01-21-01G		Thread tension post	(1)

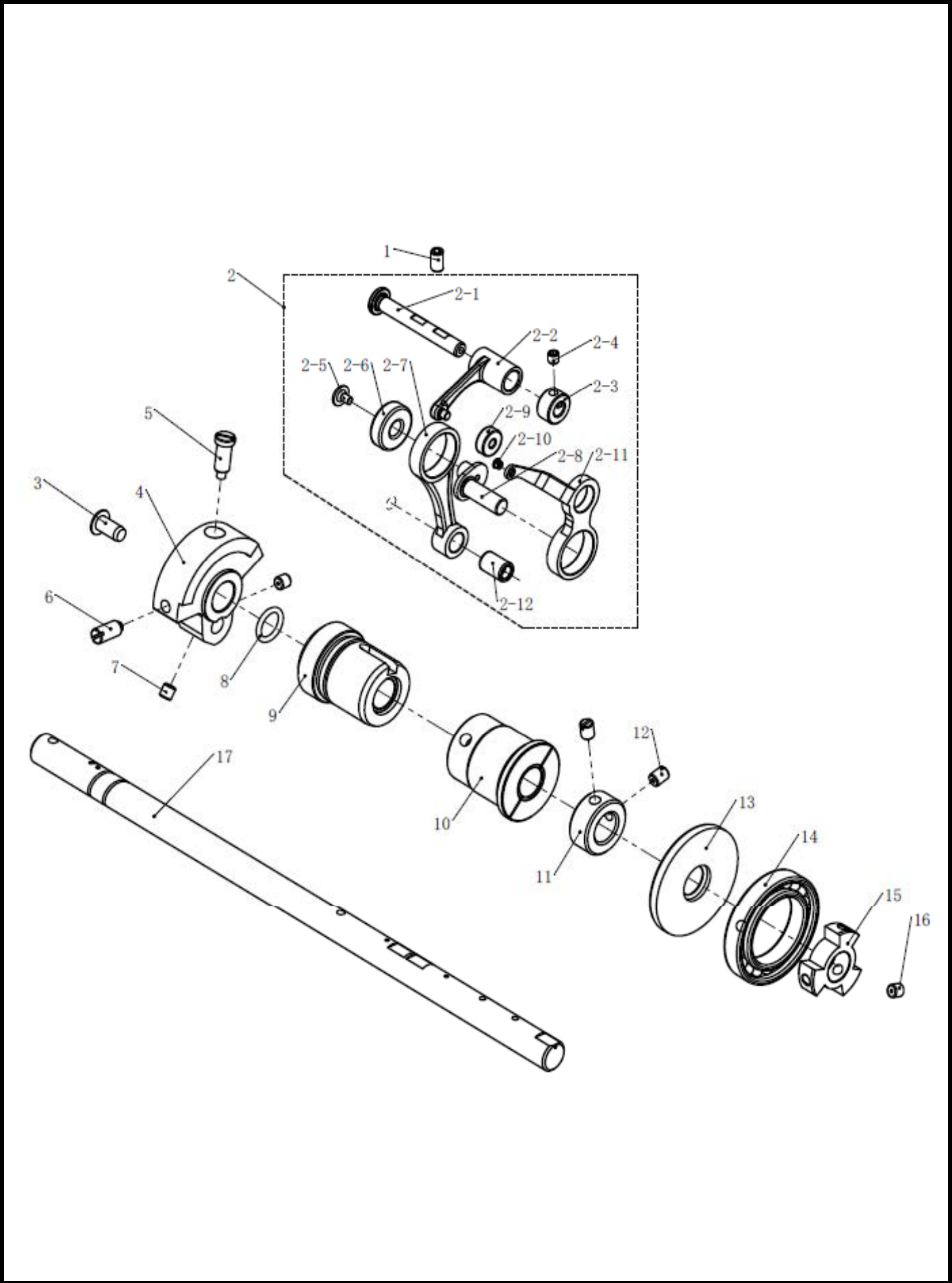
1、 件/Machine frame&miscellaneous cover components



1、 件/Machine frame&miscellaneous cover components

号 Ref.No	图号 Part. No	件名	Name of parts	Qty
				H9500N-7D-5AK
31-5	101.01-21-05		Thread tension nut	1
32	128.01-09		Bed screw stud	4
33	126.01-16	合型号	Model plate	1
34	103.08-59		Oil window	1
35	22-10705012	塞	Rubber plug	1
36	22-15608518	塞	Rubber plug	2
37	130.01-26		Rubber plug	1

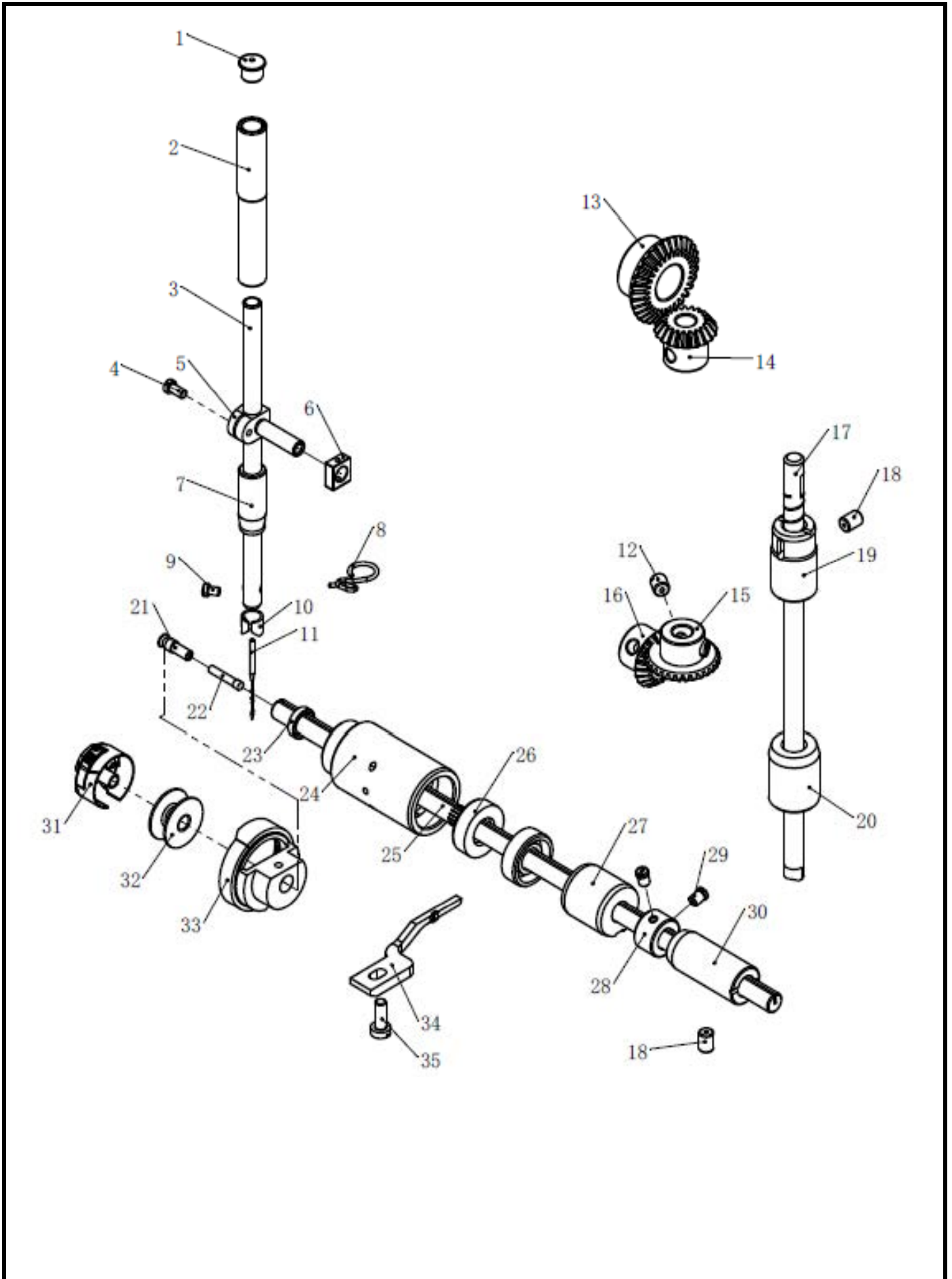
2、上 · 件/Main shaft&Thread take-up lever components



2、上 · 件/Main shaft&Thread take-up lever components

号 Ref.No	图号 Part. No	件名	Name of parts	Qty
				H9500N-7D-5AK
1	02-815281014-1	SM15/64x28x12	Screw	1
2	129.02-07	件	Thread take-up lever big asm.	1
2-1	129.02-07-01		Thread take-up crank shaft	(1)
2-2	129.02-07-03		Thread take-up lever	(1)
2-3	129.02-07-02	圈	Collar	(1)
2-4	01-805000514-1	M4×4	Screw	(2)
2-5	129.02-07-09		Screw	(1)
2-6	14-608-2Z	8×22×7	Thread take-up bearing	(2)
2-7	129.02-07-07		Needle bar crank rod	(1)
2-8	129.02-07-06		Crank	(1)
2-9	14-624	4×13×5	Thread take-up bearing	(1)
2-10	129.02-07-05		Thread take-up	(1)
2-11	129.02-07-04		Thread take-up lever	(1)
2-14	129.02-07-08		Liner bushing	1
3	22-07014012	塞	Rubber plug	1
4	130.02-11		Needle bar crank	1
5	02-418281531-1	SM9/32x28x15	Screw	2
6	02-818281651-1	SM9/32x28x16	Screw	1
7	01-806750614-1	M6x0.75x6	Screw	4
8	12-125240	O 圈	Rubber ring	1
9	130.02-13	上 前	Main shaft front bushing	1
10	102.02-27	上 中	Bushing,intermediate	1
11	102.02-23	上 圈	Collar	1
12	02-816400811-1	SM1/4x40x8	Screw	1
13	13-14550550	上 φ 14.5x5x φ 55	Oil seal	1
14	14-61907-2Z		Bearing	1
15	102.02-44	器	Linker	1
16	01-806750814-1	M6x0.75x8	Screw	2
17	130.02-06	上	Main shaft	1

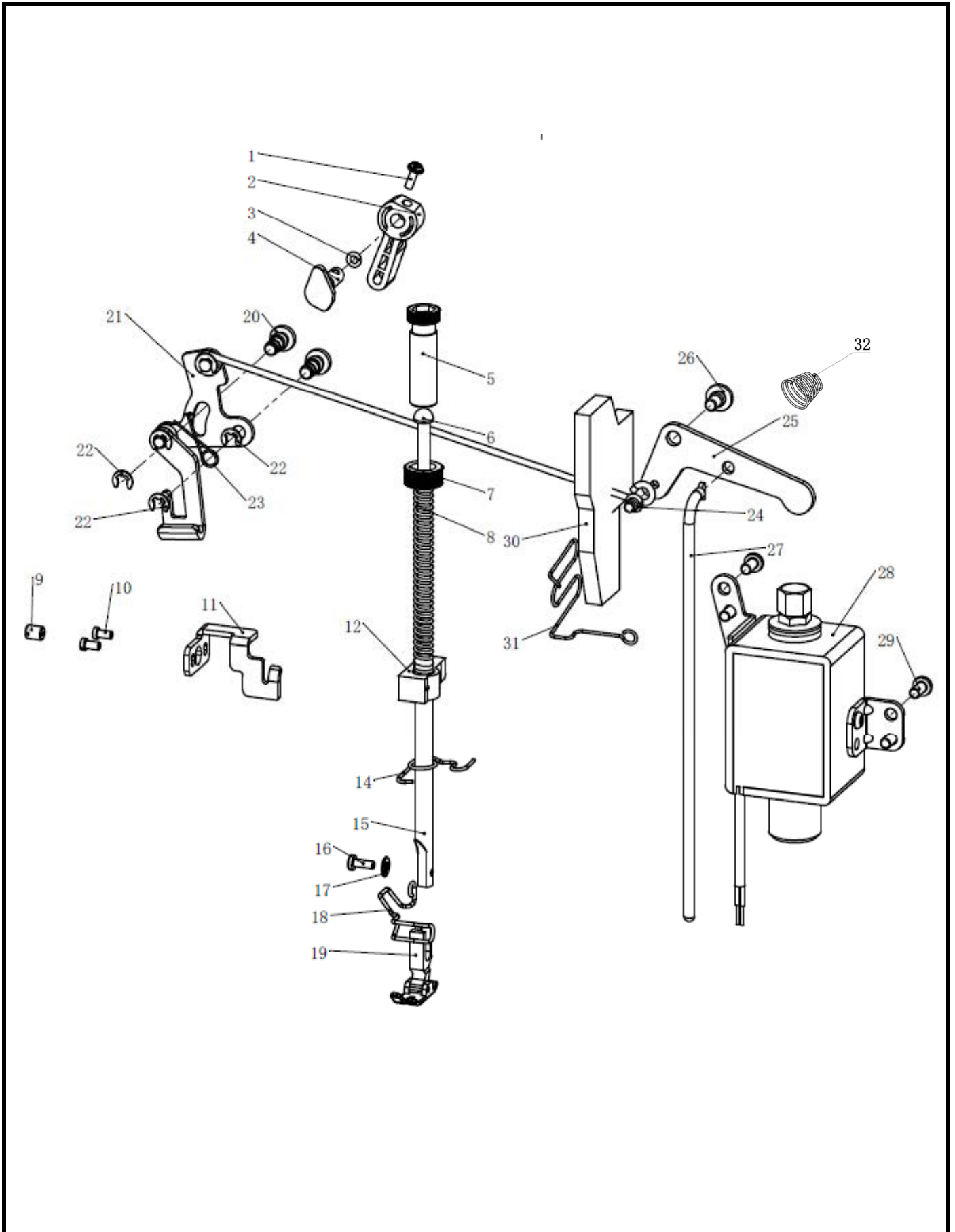
3、 下 件/Needle bar,upright shaft&hook driving shaft components



3、 下 件/Needle bar,upright shaft&hook driving shaft components

号 Ref.No	图 号 Part. No	件名	Name of parts	Qty
				H9500N-7D-5AK
1	22-08506511	塞 φ8.5x6.5xφ10.5	Cap	1
2	130.03-05	上	Needle bar bushing (upper)	1
3	130.03-06		Needle bar	1
4	02-509400721-1	SM9/64x40x5	Screw	1
5	129.02-07-10		Needle rod holder	1
6	102.03-06A	块	Slide block	1
7	130.03-07	下	Needle bar bushing (lower)	1
8	101.13-08	下	Needle bar thread guide	1
9	02-508440521-1	SM1/8x44x5	Screw	1
10	101.03-10		Needle bar thread guide	1
11	8020302	DB_1-14	Needle	1
12	02-816400711-1	SM1/4x40x7	Screw	8
13	101.03-12	上 伞	Conical gear	1
14	101.03-14	上伞	Conical gear	1
15	122.03-16	下伞	Gear	1
16	101.03-18	下 伞	Conical gear	1
17	101.03-20		Upright shaft	1
18	02-815280814-1	SM15/64x28x8	Screw	2
19	101.03-21	上	Upright shaft bushing (upper)	1
20	101.03-23	下	Upright shaft bushing (lower)	1
21	102.03-40	下	Oil seal screw	1
22	101.03-35A	下	Oil wick	1
23	13-07230120	7.2x3x12	Grease seal	1
24	130.03-08	下 前	Lower shaft bushing	1
25	102.03-31	下	Lower shaft	1
26	13-07270220	7.2x7x22	Grease seal	2
27	130.03-03	下 中	Bushing (intermediate)	1
28	101.03-26	下 圈	Thrust collar	1
29	02-511400511-1	SM11/64x40x5	Screw	2
30	101.03-24	下 后	Bushing rear	1
31	122.03-37-02		Bobbin case	1
32	101.03-37-02		Bobbin	1
33	101.03-36-02		Hook	1
34	108.07-14	位	Bobbin case holder	1
35	02-511401221-1	SM11/64x40x12	Screw	1

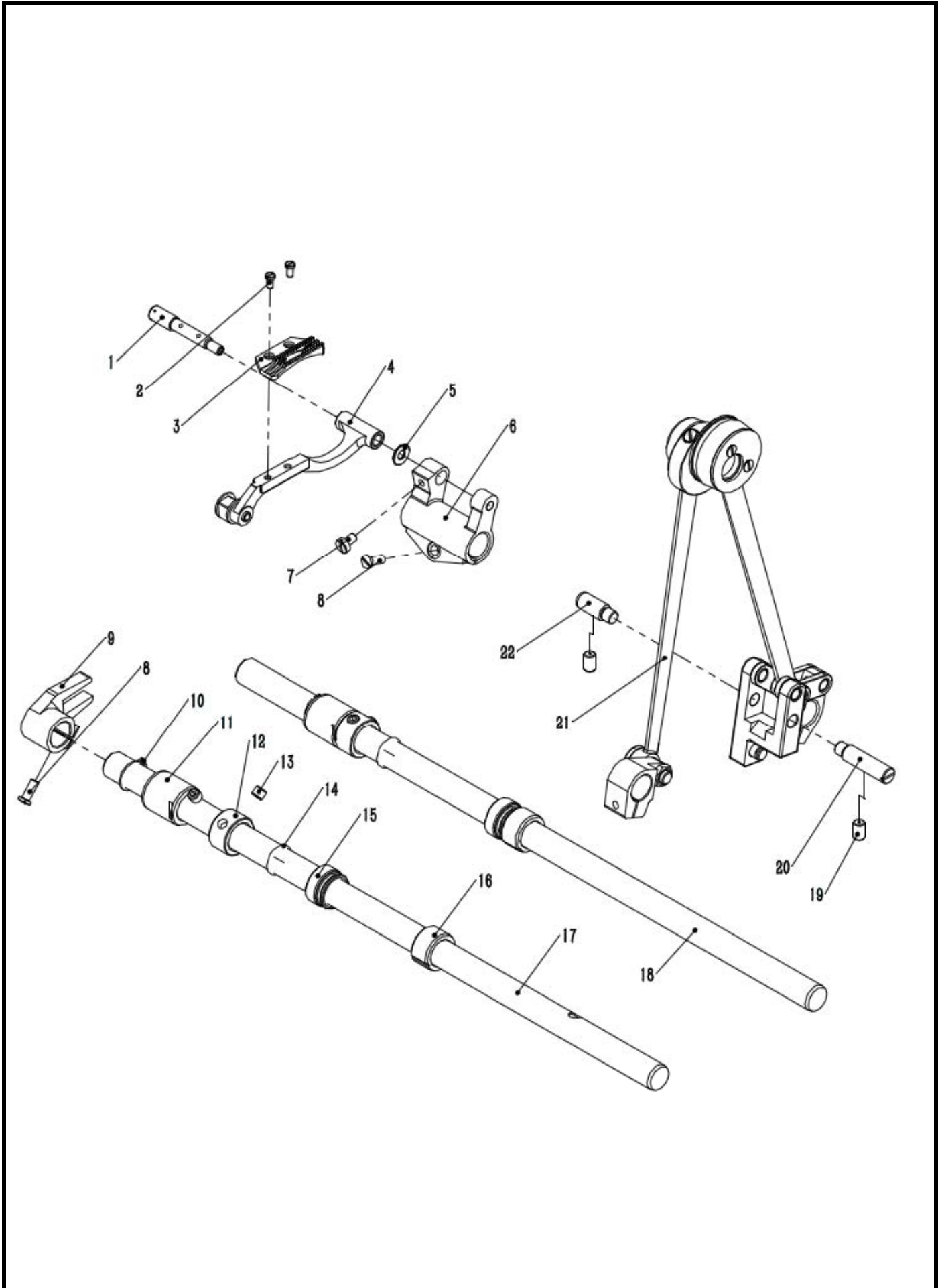
4、压 件/Hand lifter components



4、压 件/Hand lifter components

号 Ref.No	图 号 Part. No	件名	Name of parts	Qty
				H9500N-7D-5AK
1	19-409401023-1	SM9/64x40x10	Screw	1
2	101.04-01	压	Hand lifter	1
3	12-038180	O型圈 φ3.8xφ1.8	Rubber ring	1
4	101.04-04	压 凸 件	Hand lifter cam asm.	1
5	101.04-32	压	Presser spring regulator	1
6	101.04-40	压	Presser guide bar	1
7	101.04-31	压	Presser adjusting screw nut	1
8	101.04-33	压	Presser adjusting spring	1
9	02-816400811-1	SM1/4x40x8	Screw	1
10	02-509400721-1		Screw	2
11	130.04-31		Thread tension disk presser	1
12	101.04-34	压	Presser bar guide bracket	1
13	130.04-26	压	Presser bar bushing	1
14	126.09-04	垫	Oil padding clip	1
15	101.04-35	压	Presser bar	1
16	02-509401021-1	SM9/64x40x10	Screw	1
17	05-043080900-1	垫 4.3×0.8×9	Washer	1
18	104.03-29	器	Finger Protector	1
19	101.04-09A	压 件	Presser foot asm.	1
20	102.04-07	前	Link shaft	2
21	130.04-27	前 件	Lifting the front foot lever sha	1
22	06-0500810-1	口 圈	Thrust collar	3
23	130.04-34	前 位	front bar reset spring	1
24	101.04-11	压 压	Screw	1
25	126.04-02	压 后	Lifting lever link	1
26	101.04-12	后 位	Screw	1
27	126.04-01	压	Lifting ejector pin	1
28	TD-02A	压 件	Presser foot lifting asm.	1
29	01-405001023		Screw	4
30	130.09-38	固	Sponge Fixer	1
31	130.09-37		Filter sponge	1
32	101.01-21-04		Spring	1

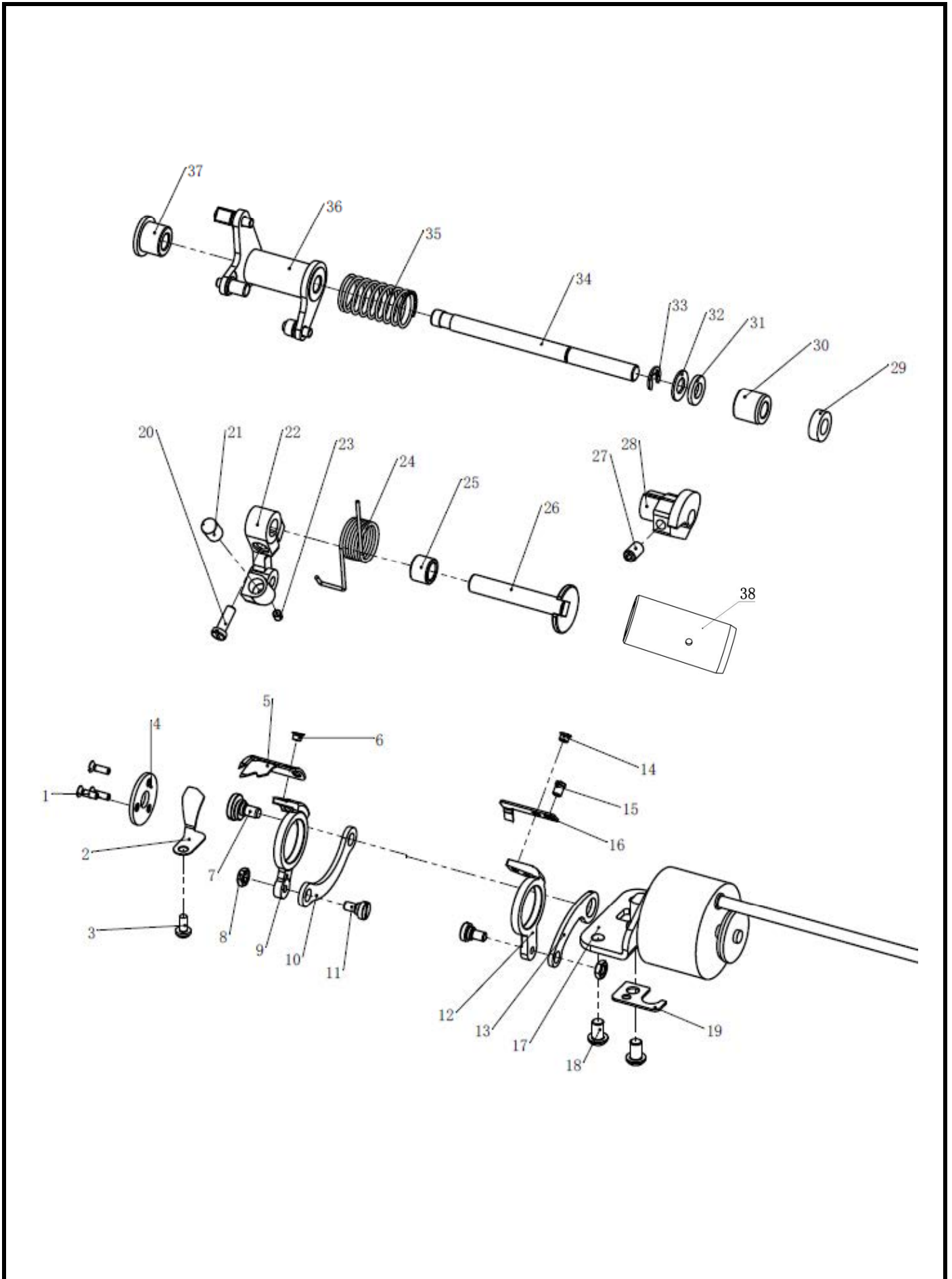
5、 件/Feed mechanism components



5、 件/Feed mechanism components

号 Ref.No	图 号 Part. No	件名	Name of parts	Qty
				H9500N-7D-5AK
1	130.05-31		Feed bar shaft pin	1
2	02-608440621-1	SM1/8x44x6	Screw	2
3	130.05-33		Feed dog	1
4	101.05-35-01		Feed bar asm.	1
5	05-051081203-5	垫	Flat gasket	1
6	101.05-55		Feed bar crank	1
7	02-511400721-1	SM11/64x40x7	Screw	1
8	02-411401121-1	SM11/64x40x11	Screw	2
9	101.05-57	叉	Driving shaft crank	1
10	10-1381017-1	圈 φ13.8x1	Retaining ring	2
11	130.05-20		Left shaft of feeding shaft	2
12	101.02-17	上 圈	Thrust collar	2
13	02-816400514-1	SM1/4x40x5	Screw	4
14	12-125240	O型圈	Rubber ring	4
15	14-14312210		Grease seal	2
16	130.05-25	中	shaft bushing of feeding shaft	2
17	130.05-21		Feed driving shaft	1
18	130.05-22		Feed rocker shaft	1
19	02-815281014-1		Screw	2
20	102.05-28-01	动 ()	Swinging plate pin	1
21	130.02-12	偏 件	Feed eccentric assembly	1
22	101.05-28	动 ()	Adjusting link fulcrum shaft p	1

6. 动切 /Thread trimmer components

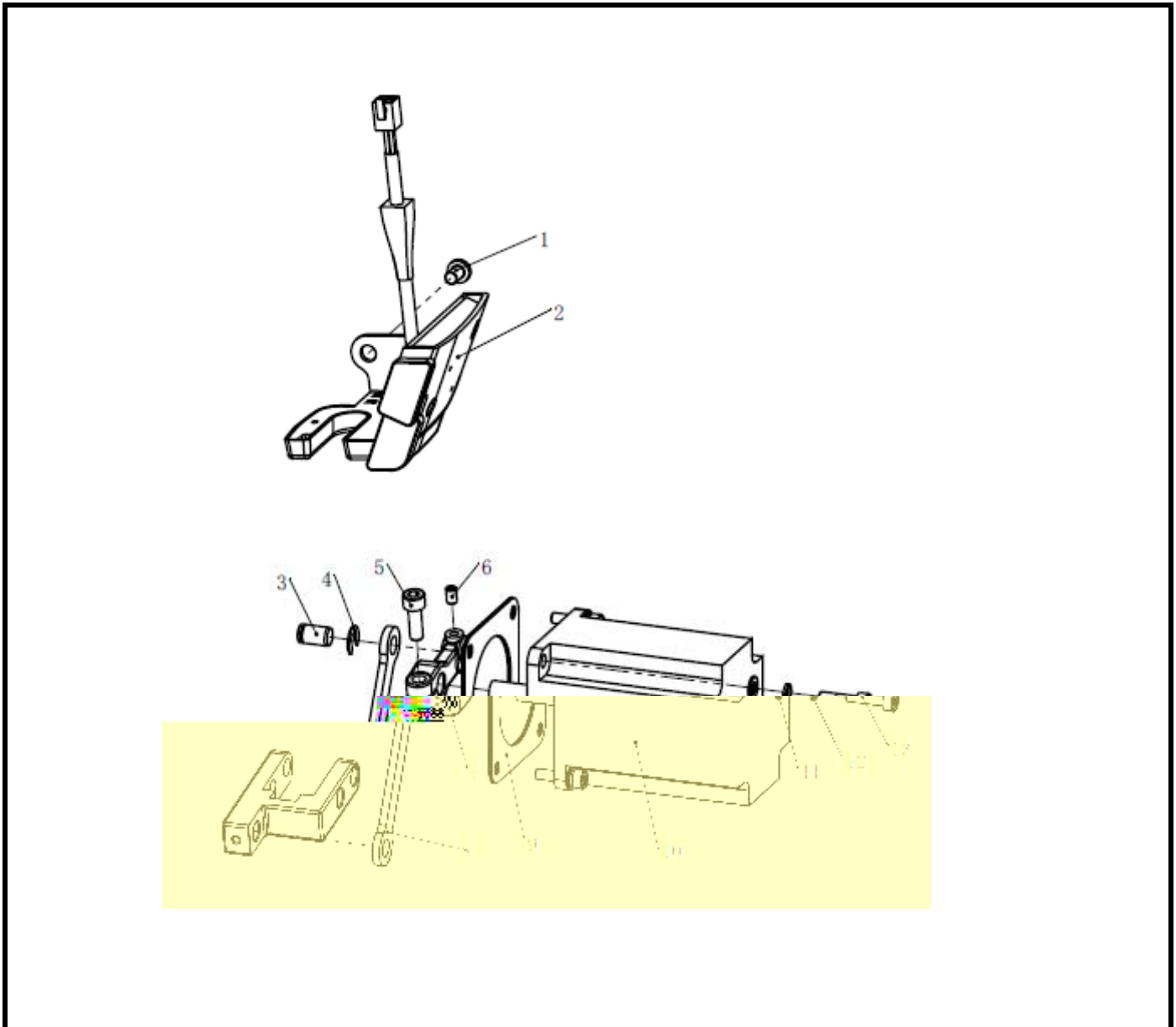


6. 动切 /Thread trimmer components

号 Ref.No	图号 Part. No	件名	Name of parts	Qty
				H9500N-7D-5AK
1	01-103001021-1		Screw	3
2	130.06-23	分 器	Protect needle patch	1
3	19-509400821		Screw	1
4	103.11-13	切 压	Partiality shank	1
5	130.06-33	下切刀	Knife U	1
6	02-111400524-1		Screw	2
7	130.06-37	偏	Shaft pin	1
8	04-611400300	六	Nut	2
9	130.06-34	下切刀	Knife bracket	1
10	102.06-15	刀	Knife shaft connecting rod	1
11	130.06-36		Screw	1
12	130.06-31	上切刀	Knife bracket	1
13	130.06-32	上切刀	Knifecconnecting rod	1
14	02-111400424-1		Screw	1
15	02-511400621-1		Screw	1
16	130.06-30	上切刀	Knife	1
17	QD-02F	切	Thread trimmer solenoid	1
18	02-315280921-1		Screw	2
19	130.06-26	压	Washer	1
20	02-512321524-1	内六 圆	Screw	1
21	103.11-09-06G	动块	Stop block	1
22	130.06-16	切刀 动	Thread shear rock crank	1
23	01-804000414-1	M4×6	Screw	1
24	130.06-26	切	Spring	1
25	102.06-23	动	Short bush	1
26	130.06-22	切刀 动	Thread shear rock arm shaft	1
27	02-816401014-1		Screw	2
28	103.11-01	切 凸	Thread shear rock arm shaft	1
29	13-08050150	D8×D15×5	Grease seal	1
30	130.06-29	切刀 动	Axle sleeve	2
31	102.06-33	冲垫	Magnetic plug cushion mat	1
32	05-081101550	垫	Flat gasket	1
33	06-0601012-1	圈	E-ring	1
34	130.06-09	切刀 动	Thread shear shaft	1
35	102.06-32	切 凸 位	Spring	1
36	102.06-26	切 凸	Thread shear rock arm shaft	1
37	102.06-31		Spring cover	1
38	130.06-35	切	Axle sleeve	1

7. 动倒 与

件/Automatic reverse feed and stitch length components

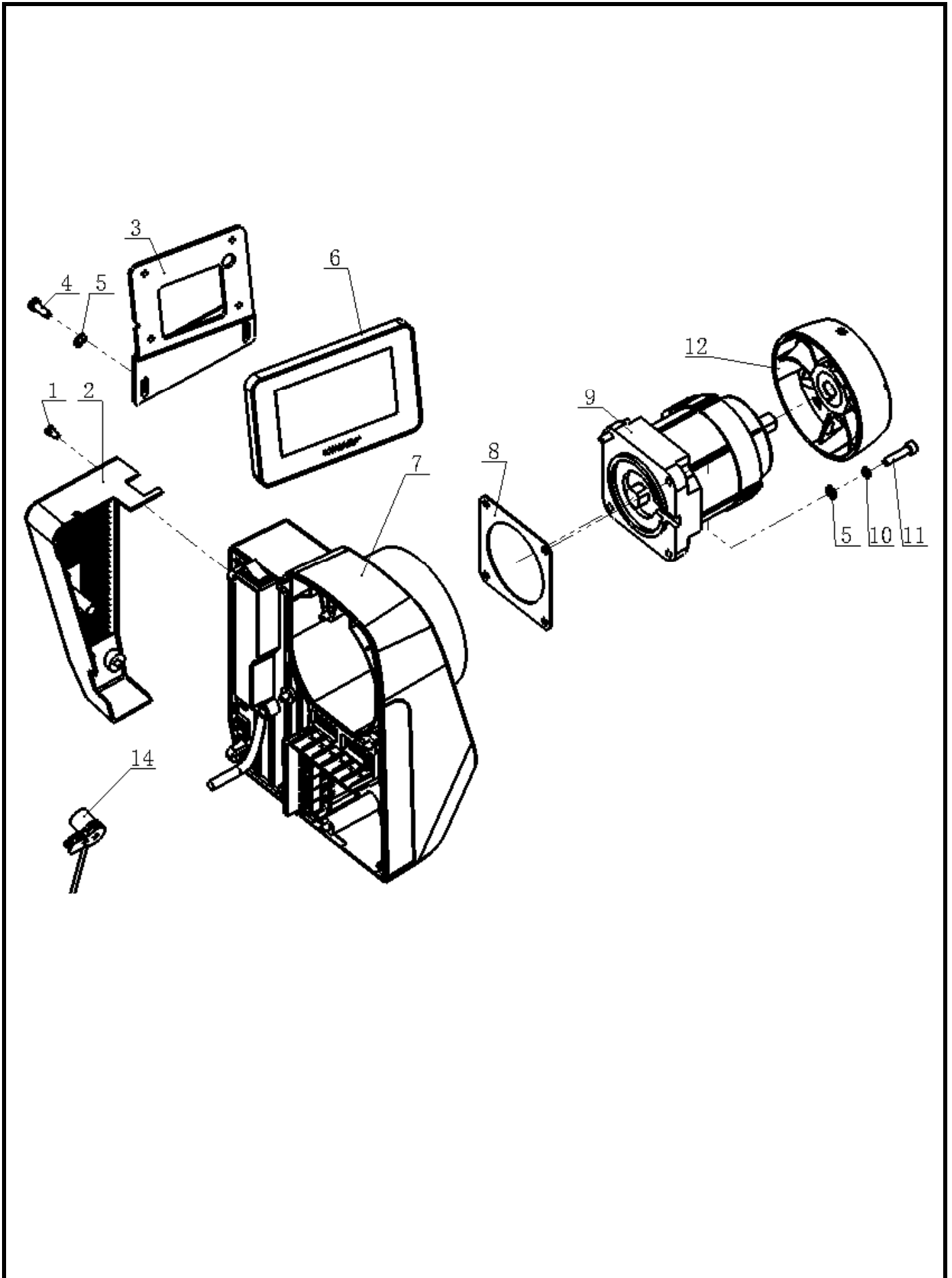


7. 动倒 与

件/Automatic reverse feed and stitch length components

号 Ref.No	图号 Part. No	件名	Name of parts	Qty
				H9500N-7D-5AK
1	01-405000823-1	M5×8	Screw	2
2	DL-18-F	倒 件	Reverse switch asm.	1
3	130.05-07-02		Shaft pin	1
4	06-0500611-1	口 圈5×0.6×11	E-ring	2
5	01-505001424-1	M5×14	Screw	1
6	01-804000614-1	M4×6	Screw	1
7	130.05-07-01	切	Connecting arm	1
8	130.05-06	切	Turning connecting shaft	1
9	130.05-13	垫	Washer	1
10	130.05-15	M0-02F-57	Stepper motor	1
11	05-043080900-1	垫 4.3×0.8×9	Washer	4
12	07-0421111-1	垫圈4.2×1.1×1.1	Spring Washer	4
13	01-504001624-1	M4×16	Screw	4

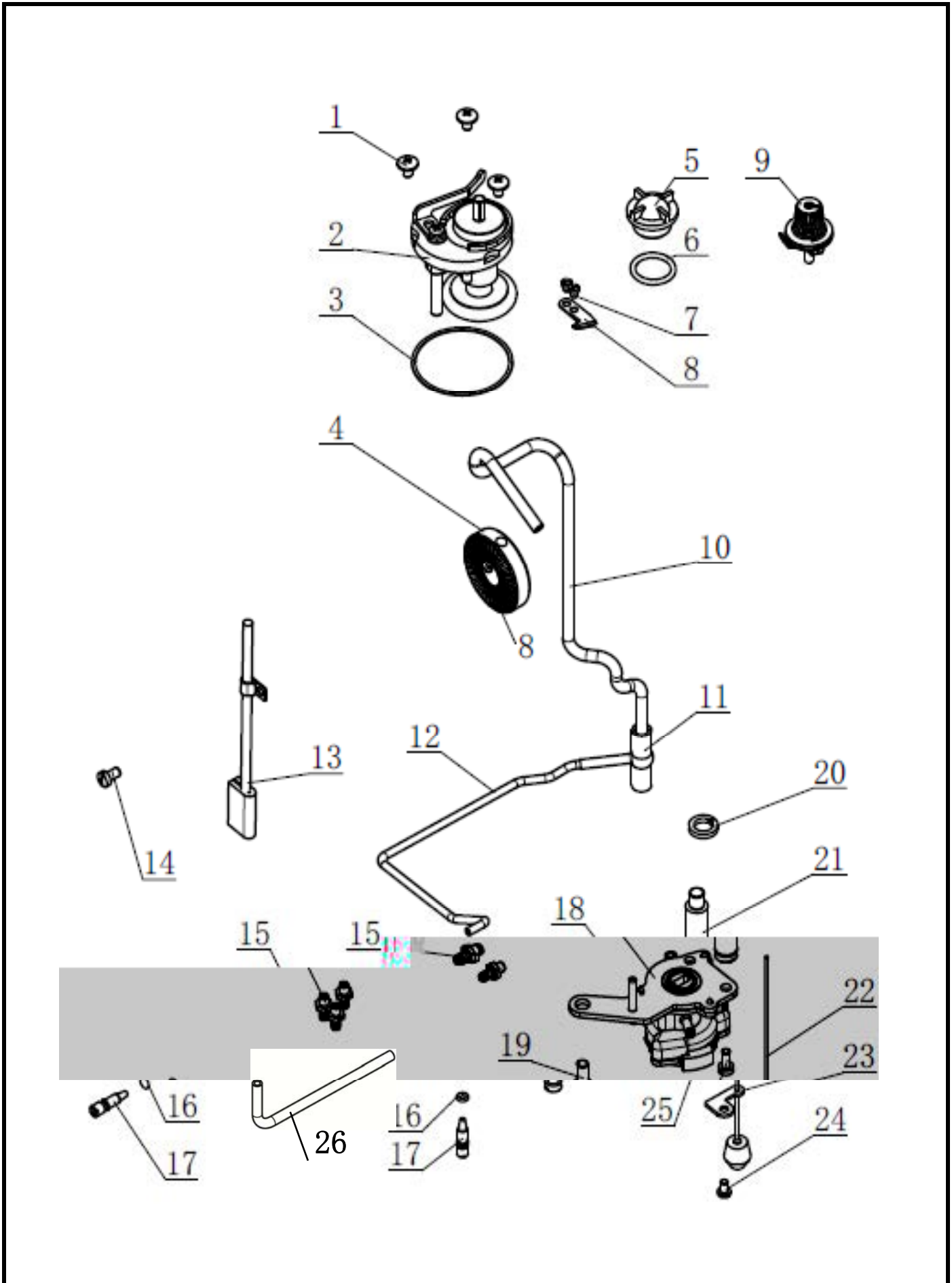
8. 动及制 件/Driver and control components



8. 动及制件/Driver and control components

号 Ref.No	图号 Part. No	件名	Name of parts	Qty
				H9500N-7D-5AK
1	01-404000821-1	M4×8	Screw	2
2	130.08-06		Wire cover	1
3	CP02F-02-A00	作	Operations panel holder	1
4	01-405001423-1	M5×8	Screw	1
5	05-053101000-1	垫 5.3×1×10	Washer	6
6	CP-02F	作 件	Operations panel	1
7	CB-02F	H9500	Control asm.	1
8	130.08-02	垫	Washer	1
9	M0-02F-550	件	Motor asm.	1
10	07-0521313-1	垫圈5.2×1.3×1.3	Spring Washer	4
11	02-505002224-1		Screw	4
12	130.02-34	件	Handwheel	1
13	02-815281014-1	SM15/64x28x10	Screw	2
14	JD-02F	器	Thread tension solenoid	1

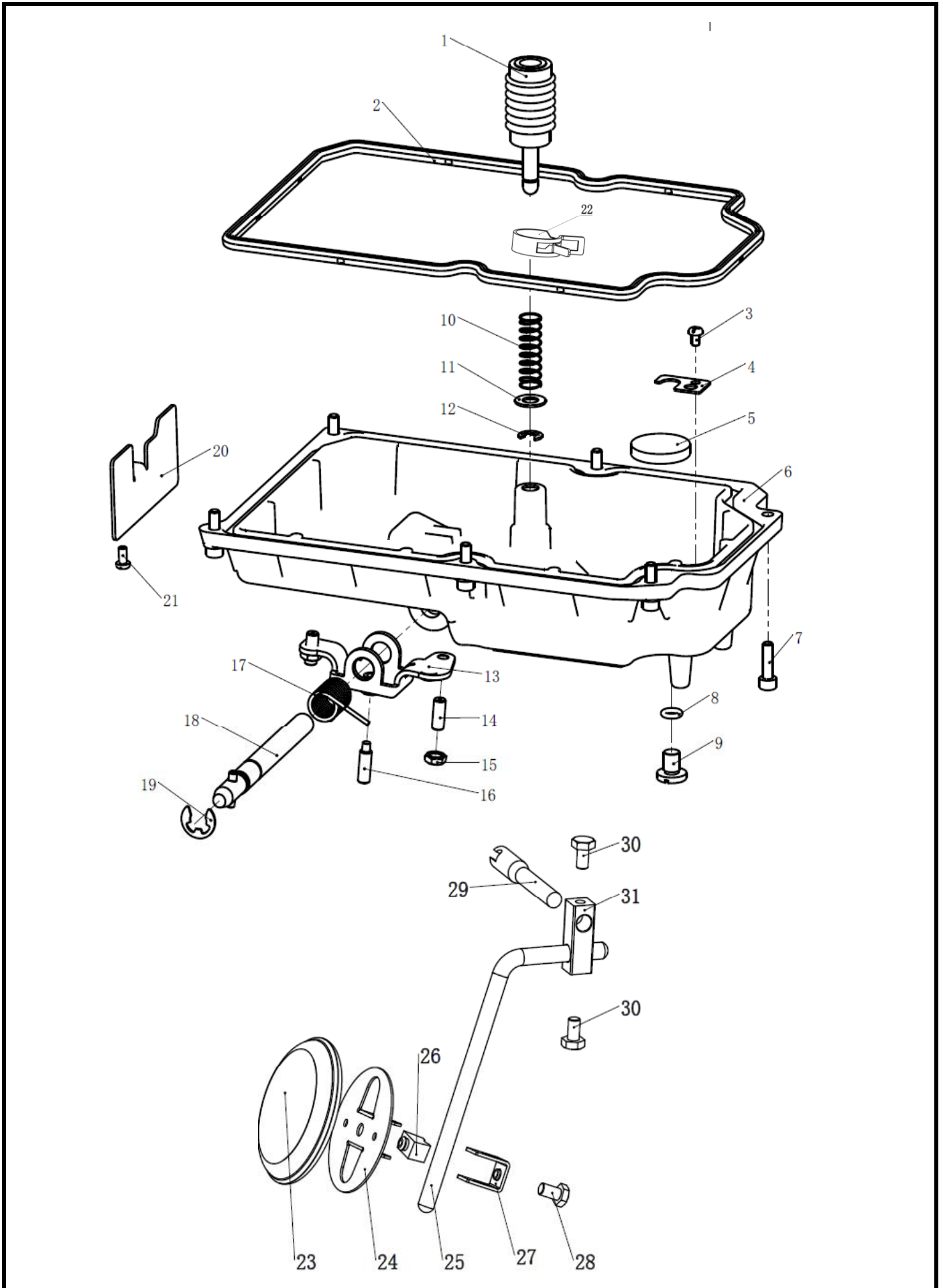
9、 件/Oil lubrication components&bobbin components



9、 件/Oil lubrication components&bobbin components

号 Ref.No	图号 Part. No	件名	Name of parts	Qty
				H9500N-7D-5AK
1	02-312320722-3	SM3/16×28×7	Screw	3
2	102.09-32A	器 件	Bobbin winder unit	1
3	102.09-42	垫圈	Washer	1
4	102.09-37	动	Bobbin winder driving wheel	1
5	101.09-01		Oil sight window	1
6	12-190265	O型圈	Rubber ring	1
7	02-509400421-1	SM9/64×40×4	Screw	2
8	102.09-34	切刀	Knife	1
9	102.09-36	器 件	Thread tension asm.	1
10	130.09-34	上 供	Main shaft oil tube	1
11	101.09-16	供	Rubber joint	1
12	130.09-35	供	Oil tube	1
13	130.09-40	回 件	Oil Return Pipe Components	1
14	02-412320821		Screw	1
15	103.08-33	供 口	Oil Feeding pipe	6
16	12-036140	o型圈	Rubber ring	2
17	130.09-09		Oil adjusting screw	2
18	101.09-11	件	Lubricating oil pump asm.	1
19	02-515281321-1	SM15/64×28×13	Screw	1
20	07-0631616-1	垫圈6.3×1.6×1.6	Spring Washer	1
21	101.09-13A		Oil pump support,large	1
22	130.09-30		Oil measurement buoy	1
23	130.09-31		Buoy guide plate	1
24	10-404000623		Screw	1
25	02-511401021-1	SM11/64×40×10	Screw	1
26	103.08-36-1-4C	120mm	Oil tube , 120mm	3

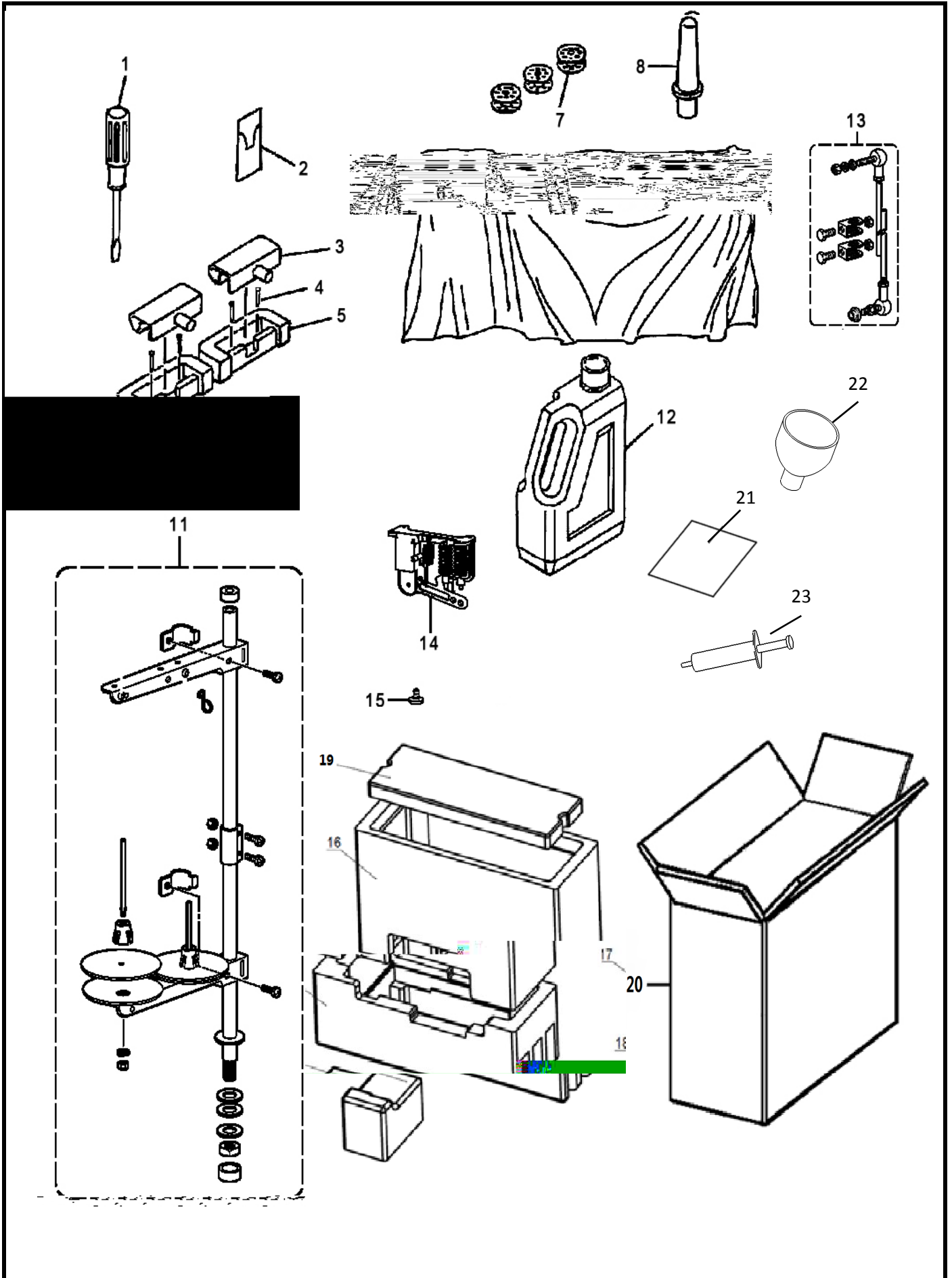
10. 件/Oil reservoir components



10. 件/Oil reservoir components

号 Ref.No	图号 Part. No	件名	Name of parts	Qty
				H9500N-7D-5AK
1	130.04-13			1
2	130.09-25	圈	Rubber ring	1
3	01-404000623-1	M4×6	Screw	3
4	130.06-26	压	Washer	1
5	130.09-10		magnet	1
6	130.09-32		Oil reservoir	1
7	01-505001824-1	M5×18	Screw	9
8	12-062240	o型6.2×2.4	Rubber ring	1
9	02-608001121-1	M8×10	Screw	1
10	130.04-33	位	Spring	1
11	05-081101553-5	垫 8.1×1.0×15.5	Washer	1
12	06-0601012-1	口 圈6×1.0×12	E-ring	1
13	101.10-05-01	压 双向	Knee lifting rotating arm	1
14	01-806001614-1	M6×16	Screw	2
15	03-606000350-1	六	Nut	3
16	01-806002034-1	M6×20	Screw	1
17	128.09-27	双向	Spring	1
18	128.04-30	压	Knee press cross shaft	1
19	06-0901018-1	口 圈9×1.0×16	E-ring	1
20	130.09-36		Oil ballfe	1
21	01-404000823-1	M4×8	Screw	2
22	130.09-41		Clip	1
23	101.10-06-01	垫	Knee pan plate cover	1
24	101.10-06-04		Knee pan plate	1
25	101.10-06-02		Knee pan upright shaft	1
26	101.10-06-03	垫	Knee pan plate rubber	1
27	101.10-06-05		Knee pan plate support	1
28	101.10-06-06G		Screw	1
29	123.03-12		Knee press cross shaft	1
30	101.10-06-05G		Knee pan plate support	2
31	101.10-06-04G	压	Knee pan plate support	1

11. 件/Accessories



11. 件/Accessories

号 Ref.No	图 号 Part. No	件名	Name of parts	Qty
				H9500N-7D-5AK
1	113.16-19	两 丝刀	Screw driver	1
2	101.03-11	DB_1-14	Needle	5
3	101.14-01		Machine hinge plate asm.	2
4	101.14-02		Nail	4
5	101.14-03		Machine hinge plate	2
6	101.14-08		Macgube head cover	1
7	101.03-37-02		Bobbin	3
8	101.14-09		Macgube rest cover	1
9	101.12-20	剂	Air drier	1
11	101.12-01	件	Thread stand asm.	1
12	101.14-10		Oil reservoir asm.	1
13	M-02F-010	件	Live festival ball link asm.	1
14	KS-02F	器 件	Treadle asm.	1
15	21-3501932-4	十 半圆	Screw	4
16	128.11-01-01	上	Foam mat (top)	1
17	128.11-01-02	下	Foam mat (bottom)	1
18	128.11-01-03	中	Foam mat (middle)	1
19	128.11-01-04		Foam mat (cover)	1
20	128.11-02		Outside box	1
21	126.11-09	件 单	list	1
22	201.22-07-08-10		funnel	1
23	103.20-108	嘴	Grease tube	1